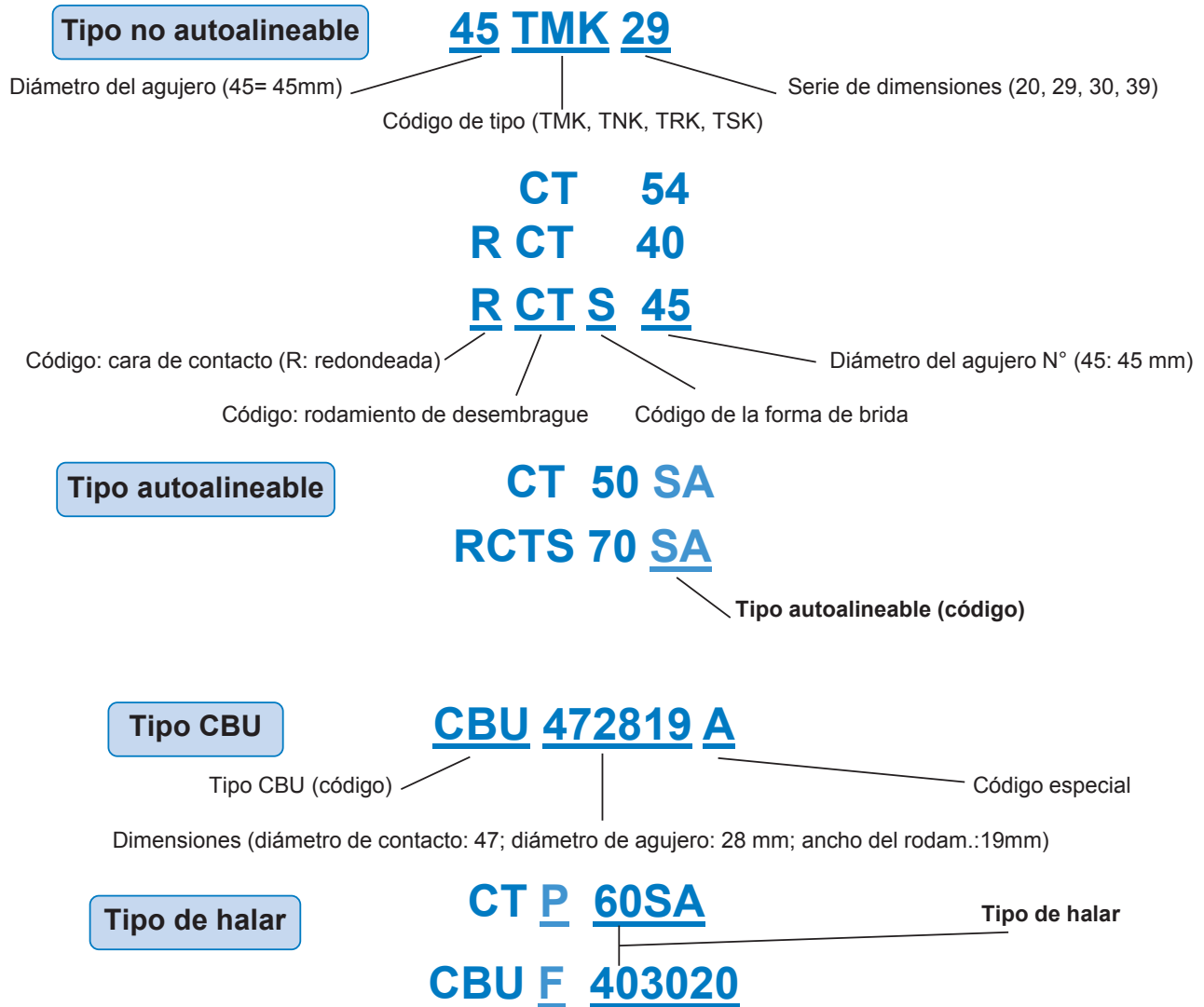


Rodamientos de bolas para sistema de embrague (collarines)

Los rodamientos de bolas para los sistemas de embragues de los diferentes vehículos, son rodamientos con diseños variados que incorporan manguitos, co-bertores metálicos, bridas estampadas de metal y componentes plásticos. **Koyo** fabrica los convencionales de empuje y en versiones autoalineables y de tipo de extracción (halar).



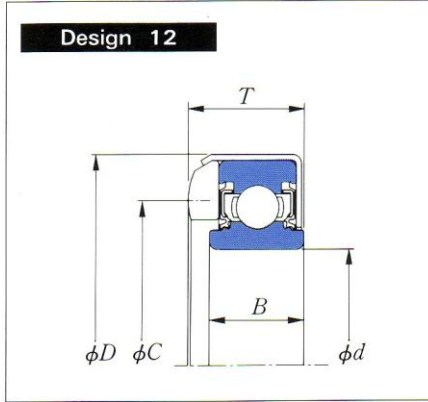
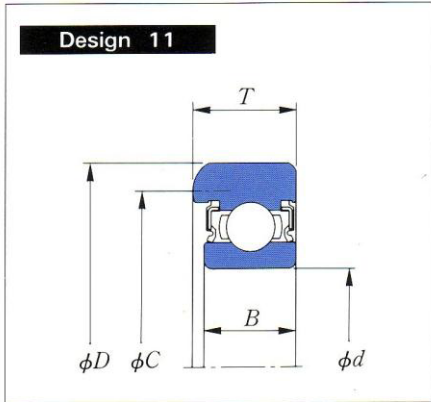
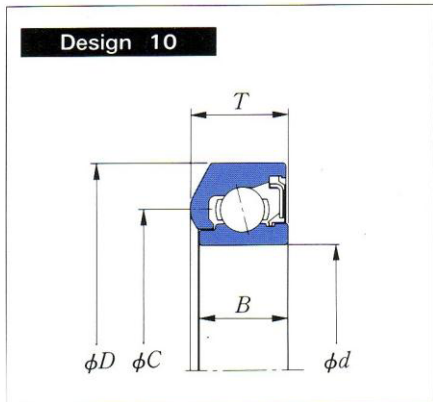
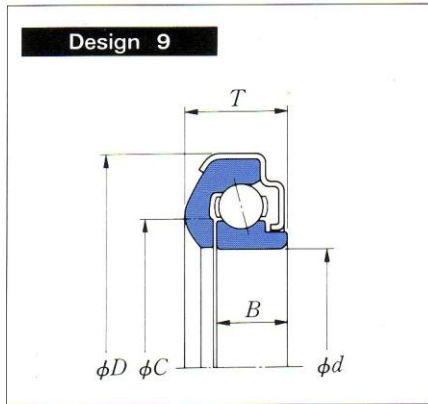
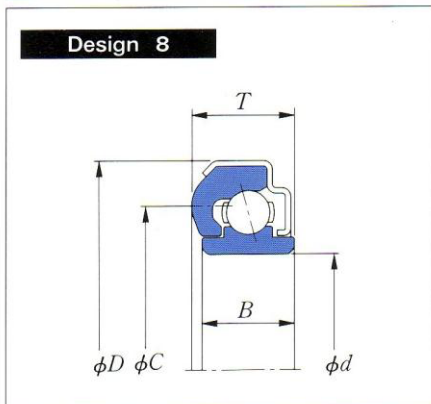
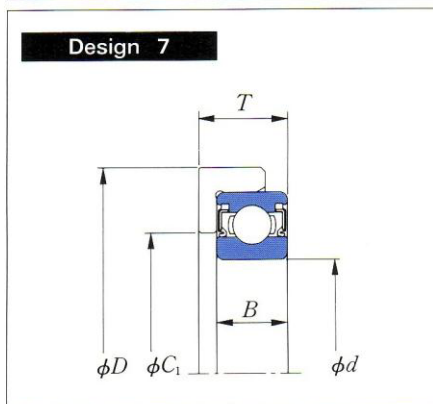
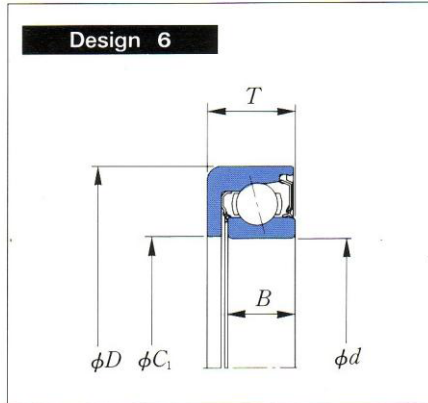
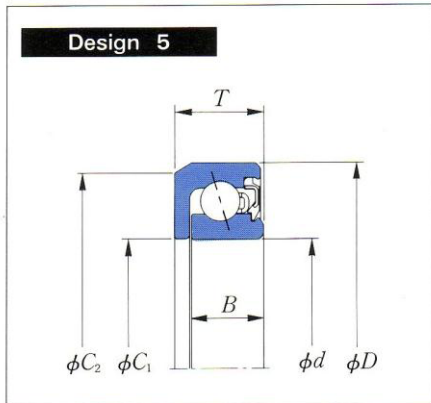
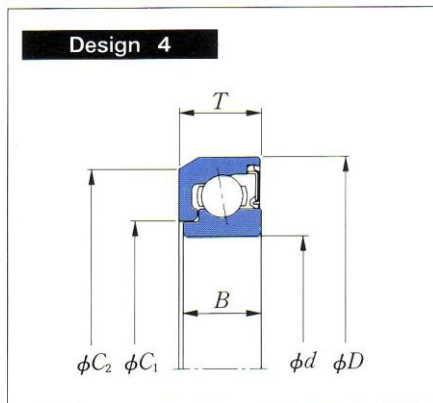
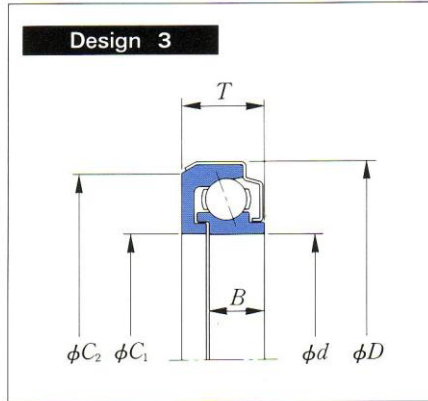
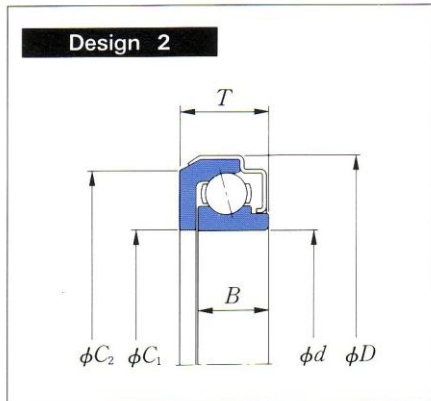
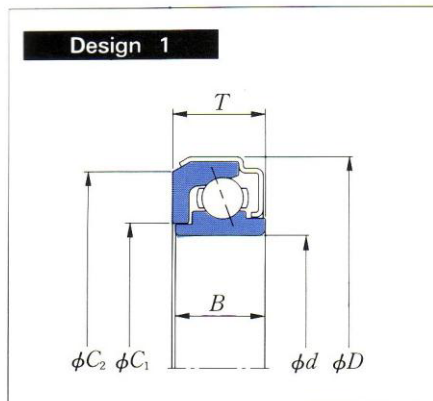
Sistema de numeración de los rodamientos de embrague (ejemplos)



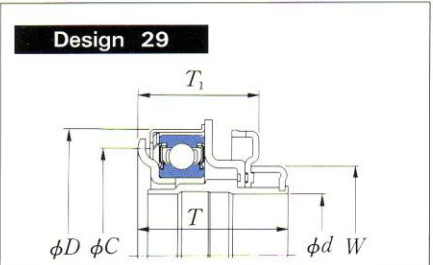
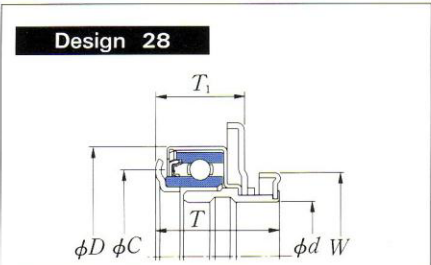
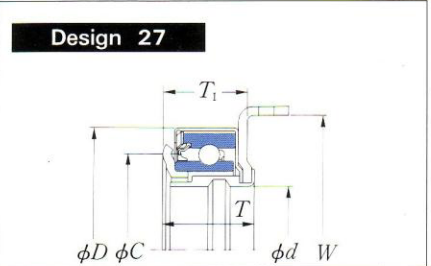
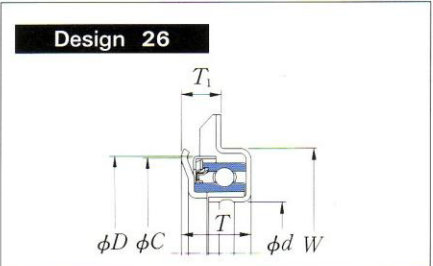
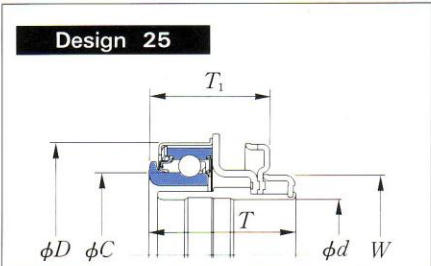
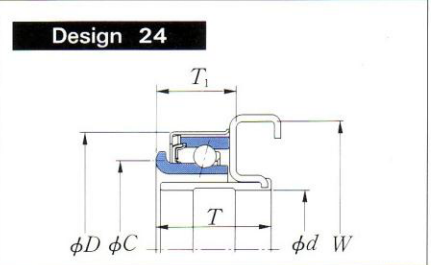
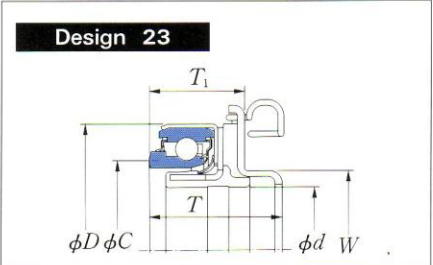
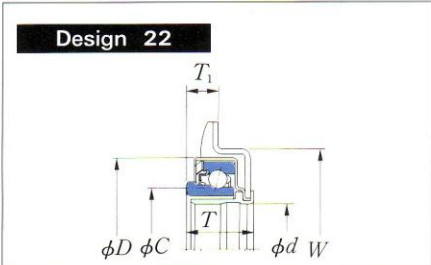
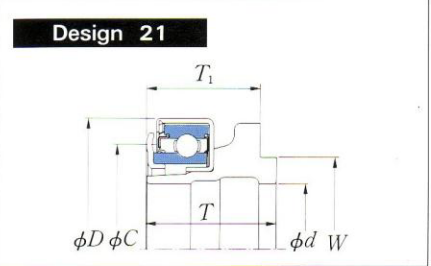
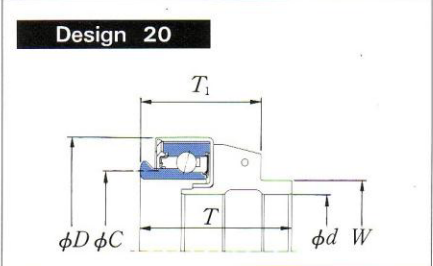
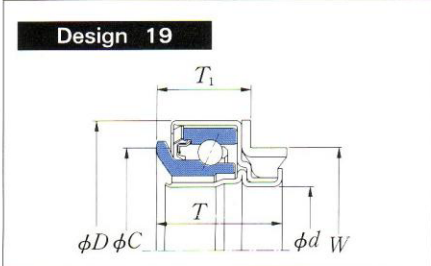
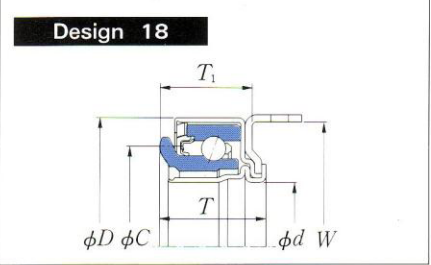
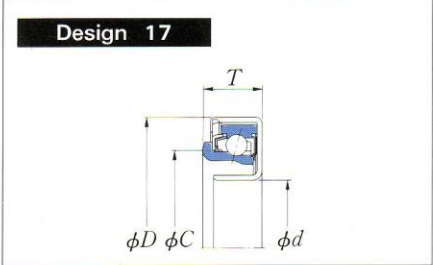
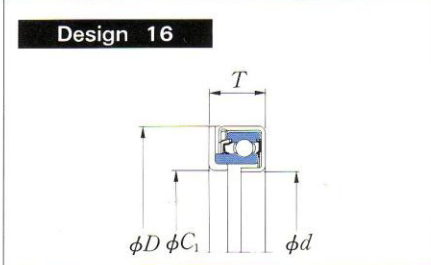
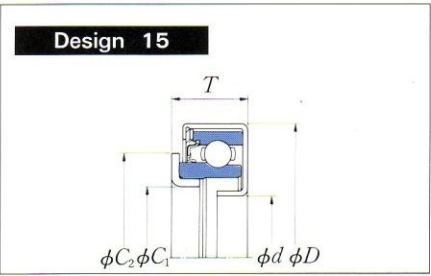
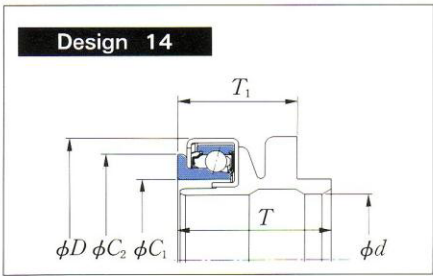
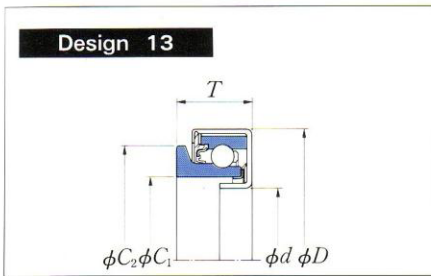
▶ RODAMIENTOS AUTOMOTRICES

Rodamientos de desembrague para automóviles.

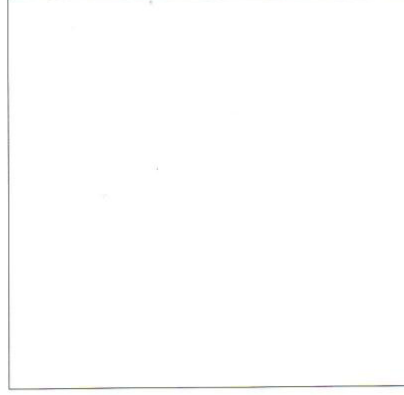
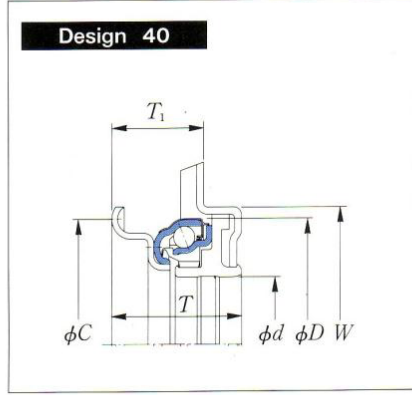
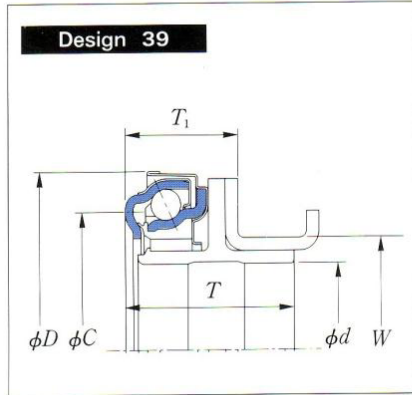
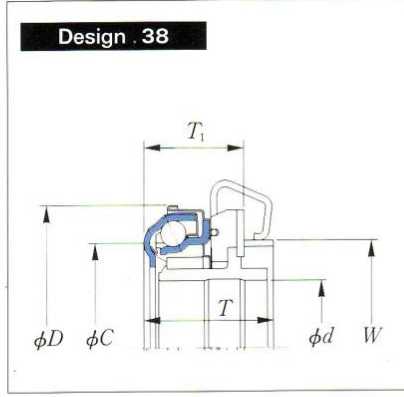
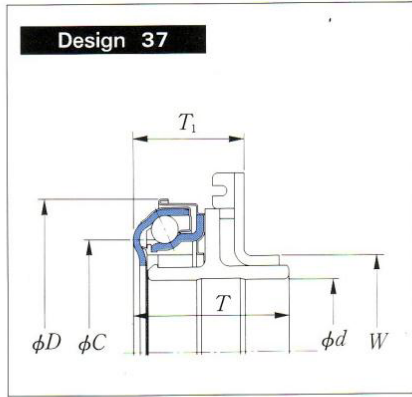
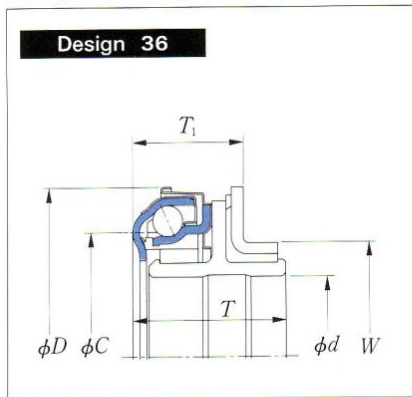
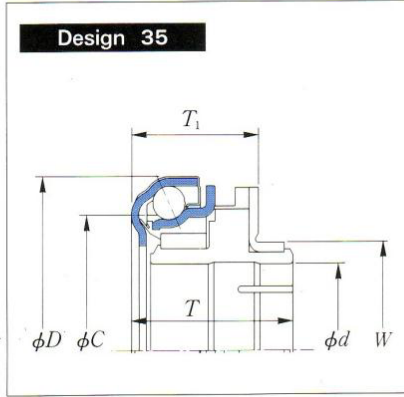
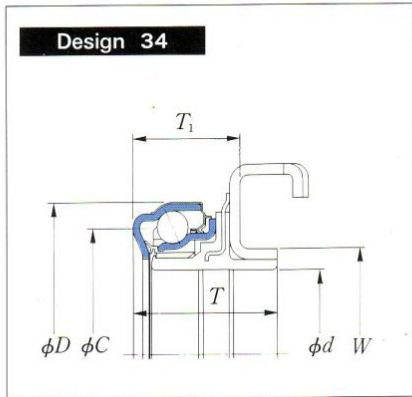
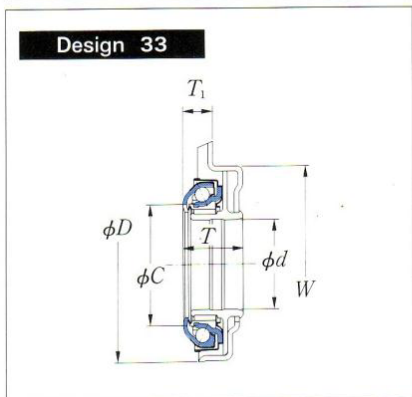
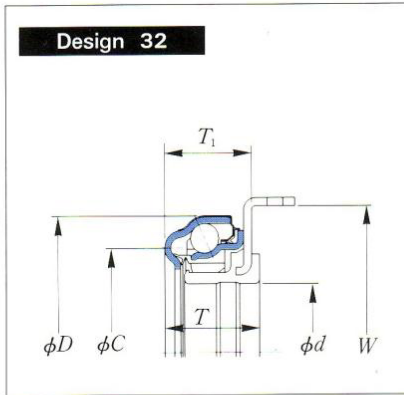
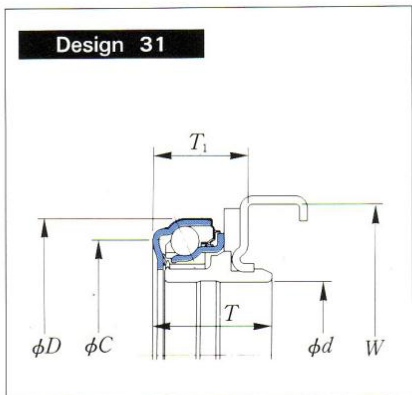
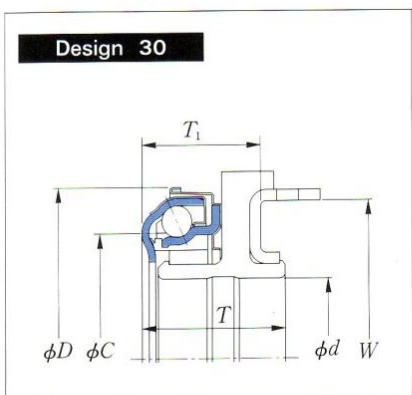
Tipo no - autoalineable TMK - TNK - TRK - TSK - CT - RCT






















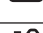







































Rodamientos de desembrague para automóviles.
 Tipo autoalineable CT...SA - RCT...SA









































Rodamientos de desembrague para automóviles.
 Tipo autoalineable (Ligero) CBU































































Rodamientos de bolas para sistemas de embrague										
Designación	Foto	Número de parte (O.E.M)	Fabricante	Aplicación	Dimensiones principales (unidad:mm)					
					d	D	T	B	C	W
28TAG12-1RS		N/D	N/D	EMBRAGUE	28.00	51.60	15.80	•	•	•
30TRK39+SL		0419-16-512	MAZDA	EMBRAGUE	30.00	49.00	13.00	10.50	38.00	•
35TAG12		40031-5800	NISSAN	EMBRAGUE	35.00	64.00	19.00	•	•	•
35TAG802		MH041001	MITSUBISHI	EMBRAGUE	35.00	65.00	18.40	•	•	•
40TMK20-1S		30502-13200	NISSAN	EMBRAGUE	40.00	70.00	18.00	17.00	•	•
40TMK20-1S		90363-40076	TOYOTA	EMBRAGUE	40.00	70.00	18.00	17.00	•	•
40TMK29		90363-40061	TOYOTA	EMBRAGUE	40.00	63.60	14.00	13.00	•	•
40TNK20		30502-32200	NISSAN	EMBRAGUE	40.00	70.00	18.00	14.50	•	•
40TNK29		K 6152631	MITSUBISHI	EMBRAGUE	40.00	63.60	14.00	11.00	•	•
45TNK20		ME 600000	MITSUBISHI	EMBRAGUE	45.00	77.00	19.00	15.00	•	•
60TMK20		ME 624278	MITSUBISHI	EMBRAGUE	60.00	97.00	22.00	21.00	•	•
62TMK20-1		ME 627580	MITSUBISHI	EMBRAGUE	60.00	97.00	22.00	15.50	•	•
62TMK20-22RS		ME 632039	MITSUBISHI	EMBRAGUE	62.00	97.00	22.00	16.80	•	•
65TNK20		30502-90004	NISSAN DIESEL	EMBRAGUE	65.00	102.00	22.00	17.50	•	•
80TNK20		03452-23001/2	MITSUBISHI	EMBRAGUE	80.00	127.00	27.00	18.00	•	•
CBU442822		31230-87705	DAIHATSU	EMBRAGUE	28.00	60.00	28.50	•	44.00	45.00
CBU442822G+C		31230-87703	DAIHATSU	EMBRAGUE	28.00	60.00	22.50	•	44.00	•
CBU442829		30502-AA090	SUBARU	EMBRAGUE	28.00	60.00	39.00	•	44.00	38.30
CBU472921C (antes CBU472921B)		B 315-16-510	MAZDA	EMBRAGUE	29.00	60.00	28.00	•	47.00	38.00
CBU472921C (antes CBU472921B)		0K210-16-510	KIA	EMBRAGUE	29.00	60.00	28.00	•	47.00	38.00
CBU472921D		22810-PFP-004	HONDA	EMBRAGUE	29.00	60.00	28.00	•	47.00	38.00
CBU543625J		G 560-16-510 B	MAZDA	EMBRAGUE	36.00	65.40	33.50	25.00	54.00	45.00
CBU543625J-2		LF01-16-510	MAZDA	EMBRAGUE	36.00	65.60	38.00	25.00	54.00	•
CBU553524B (igual a RCTS354SA)		22810-P21-003	HONDA	EMBRAGUE	35.00	65.40	30.00	24.00	55.20	72.00
CT1310		892862 M2	MASSEY F.	EMBRAGUE	63.50	103.38	20.57	15.75	•	•
CT1310ARSEDCS23		N/D	FORD	EMBRAGUE	63.50	102.00	20.57	19.50	•	•
CT1310ARSEDCS23		N/D	EATON	EMBRAGUE	63.50	102.00	20.57	19.50	•	•
CT1310ARSEDCS23		N/D	AGCO	EMBRAGUE	63.50	102.00	20.57	19.50	•	•
CT35S		90043-63002	DAIHATSU	EMBRAGUE	35.00	56.60	14.00	12.06	45.20	•


































Rodamientos de bolas para sistemas de embrague											
Designación	Foto	Número de parte (O.E.M)	Fabricante	Aplicación	Dimensiones principales (unidad:mm)						
					d	D	T	B	C	W	
CT35S		43151-4700	SUBARU	EMBRAGUE	35.00	56.60	14.00	12.06	45.20	•	
CT38-1L1		90363-38013	TOYOTA	EMBRAGUE	38.10	67.00	15.88	14.50	•	•	
CT38-1L1		MJM 60330	MITSUBISHI	EMBRAGUE	38.10	67.00	15.88	14.50	•	•	
CT4068RU		30502-86400/1	NISSAN	EMBRAGUE	40.00	68.40	18.00	14.70	•	•	
CT40B		30502-14800	NISSAN	EMBRAGUE	40.00	70.00	14.00	13.00	•	•	
CT45-1S		0086-16-222A	MAZDA	EMBRAGUE	45.00	74.00	16.00	15.00	•	•	
CT45-1S		0107-16-222	MAZDA	EMBRAGUE	45.00	74.00	16.00	15.00	•	•	
CT45-1S		0600-16-222	MAZDA	EMBRAGUE	45.00	74.00	16.00	15.00	•	•	
CT45-1S		0672-16-220	MAZDA	EMBRAGUE	45.00	74.00	16.00	15.00	•	•	
CT45-1S		30502-66300	NISSAN	EMBRAGUE	45.00	74.00	16.00	15.00	•	•	
CT45-1S		31232-30020	DAIHATSU	EMBRAGUE	45.00	74.00	16.00	15.00	•	•	
CT45-1S		5-00095-038	ISUZU	EMBRAGUE	45.00	74.00	16.00	15.00	•	•	
CT45-1S		90363-45015	DAIHATSU	EMBRAGUE	45.00	74.00	16.00	15.00	•	•	
CT45-1S		90363-45079	TOYOTA	EMBRAGUE	45.00	74.00	16.00	15.00	•	•	
CT45-1S		MD 800241	MITSUBISHI	EMBRAGUE	45.00	74.00	16.00	15.00	•	•	
CT48SA		1-31320-034	ISUZU	EMBRAGUE	48.00	90.00	57.50	•	•	59.80	
CT50SA		8-90251-702	ISUZU	EMBRAGUE	38.12	67.00	30.60	•	•	46.00	
CT52A-1		30502-55100	NISSAN	EMBRAGUE	52.40	97.00	20.00	19.00	•	•	
CT52A-1		90363-52018	TOYOTA	EMBRAGUE	52.40	97.00	20.00	19.00	•	•	
CT52A-1		90363-52014	TOYOTA	EMBRAGUE	52.40	97.00	20.00	19.00	•	•	
CT52S		N/D	N/D	EMBRAGUE	52.40	94.00	20.00	19.00	•	•	
CT541SA		1-09820-078	ISUZU	EMBRAGUE	54.00	90.00	23.00	•	•	•	
CT5582RUL1		2445-3012-00	HINO	EMBRAGUE	55.00	82.00	16.00	13.00	•	•	
CT5582RUL1		90033-63005	TOYOTA	EMBRAGUE	55.00	82.00	16.00	13.00	•	•	
CT5586ARSE		31242-1110A	HINO	EMBRAGUE	55.00	85.60	19.55	18.60	•	•	
CT5588ARSE		31242-1030A	HINO	EMBRAGUE	55.00	88.00	16.00	15.00	•	•	
CT5588ARSE		31242-1120	HINO	EMBRAGUE	55.00	88.00	16.00	15.00	•	•	
CT5588ARSE		N/D	KIA Camión lig.	EMBRAGUE	55.00	88.00	16.00	15.00	•	•	
CT5588ARSE		90033-63024	TOYOTA	EMBRAGUE	55.00	88.00	16.00	15.00	•	•	
CT55BL1		03452-69000	MITSUBISHI	EMBRAGUE	55.00	88.00	19.55	19.00	•	•	
CT55BL1		1-09820-008-0	ISUZU	EMBRAGUE	55.00	88.00	19.55	19.00	•	•	
CT70B		03452-21001/2/3	MITSUBISHI	EMBRAGUE	70.00	117.00	27.00	18.00	•	•	
CT70B		2303-3023-01	HINO	EMBRAGUE	70.00	117.00	27.00	18.00	•	•	





















Rodamientos de bolas para sistemas de embrague										
Designación	Foto	Número de parte (O.E.M)	Fabricante	Aplicación	Dimensiones principales (unidad:mm)					
					d	D	T	B	C	W
CT70B		30502-90007	NISSAN DIESEL	EMBRAGUE	70.00	117.00	27.00	18.00	•	•
CT70B		31242-1060A	HINO	EMBRAGUE	70.00	117.00	27.00	18.00	•	•
CT70B		9-00095-044-1	ISUZU	EMBRAGUE	70.00	117.00	27.00	18.00	•	•
CT70B		9-00095-0441-0	ISUZU	EMBRAGUE	70.00	117.00	27.00	18.00	•	•
CTP61SA2		N/D	NISSAN-Camión UD	EMBRAGUE	61.00	146.00	74.50	•	•	•
CTS64SA		37005227M1	MASSEY FERGUSON	EMBRAGUE	63.47	100.00	23.00	•	•	•
RCT2552RSE		22863-611-003/4	HONDA	EMBRAGUE	25.00	52.00	13.50	12.00	45.00	•
RCT25SA2		A 502-16-510	MAZDA	EMBRAGUE	25.00	55.00	28.00	•	38.00	43.00
RCT2812SA		MD 714903	MITSUBISHI	EMBRAGUE	28.00	58.20	28.50	•	44.00	40.00
RCT2812SA		MD 712800	MITSUBISHI	EMBRAGUE	28.00	58.20	28.50	•	44.00	•
RCT2812SA		MD 721203	MITSUBISHI	EMBRAGUE	28.00	58.20	28.50	•	44.00	•
RCT2812SA		MD 710335	MITSUBISHI	EMBRAGUE	28.00	58.20	28.50	•	44.00	•
RCT282SA		31230-87504/5	DAIHATSU	EMBRAGUE	28.00	57.00	28.50	•	45.00	45.00
RCT283SA		09269-28005	SUZUKI	EMBRAGUE	28.00	57.00	24.50	•	44.00	55.00
RCT284SA		31230-87501/2	DAIHATSU	EMBRAGUE	28.00	57.00	26.00	•	44.00	41.00
RCT2850-1RUBS		09269-28001/3	SUZUKI	EMBRAGUE	28.00	50.00	14.50	12.70	42.00	•
RCT285SA		90363-87201	TOYOTA	EMBRAGUE	28.00	57.50	22.80	•	44.00	47.00
RCT286SA		30502-01B00	NISSAN	EMBRAGUE	28.00	57.50	21.00	•	38.00	•
RCT29SA		22810-PL6-000/3	HONDA	EMBRAGUE	29.00	59.00	30.20	•	47.00	56.00
RCT30482RK		43151-1000	SUBARU	EMBRAGUE	30.00	48.00	13.00	10.50	45.00	•
RCT322SA		MD 700257	MITSUBISHI	EMBRAGUE	31.75	65.00	29.00	•	48.00	60.00
RCT322SA		N/D	DODGE	EMBRAGUE	31.75	65.00	29.00	•	48.00	60.00
RCT322SA		MD 706180	MITSUBISHI	EMBRAGUE	31.75	65.00	29.00	•	48.00	•
RCT322SA		N/D	DODGE	EMBRAGUE	31.75	65.00	29.00	•	48.00	•
RCT3300SA		31230-12180	TOYOTA	EMBRAGUE	33.00	66.00	79.20	22.00	•	•
RCT3306SA		REEMPLAZA RCT3300SA	TOYOTA	EMBRAGUE	33.00	66.00	79.20	22.00	•	•
RCT331SA		E 301-16-510	MAZDA	EMBRAGUE	33.00	65.00	34.00	•	50.00	77.00
RCT331SA1		E 301-16-510 A	MAZDA	EMBRAGUE	33.00	65.00	34.00	•	50.00	70.00
RCT3360A		90363-33080	TOYOTA	EMBRAGUE	33.00	60.00	17.00	15.00	47.00	•
RCT3360A		90363-33080	DAIHATSU	EMBRAGUE	33.00	60.00	17.00	15.00	47.00	•
RCT3360L1		90363-33001	TOYOTA	EMBRAGUE	33.00	60.00	14.80	13.50	47.00	•

Rodamientos de bolas para sistemas de embrague											
Designación	Foto	Número de parte (O.E.M)	Fabricante	Aplicación	Dimensiones principales (unidad:mm)						
					d	D	T	B	C	W	
RCT3360L1		90363-33030	TOYOTA	EMBRAGUE	33.00	60.00	14.80	13.50	47.00	•	
RCT3360L1		90363-33057	TOYOTA	EMBRAGUE	33.00	60.00	14.80	13.50	47.00	•	
RCT3360L1		90363-33077	TOYOTA	EMBRAGUE	33.00	60.00	14.80	13.50	47.00	•	
RCT3360S		22863-634-004	HONDA	EMBRAGUE	33.00	60.00	15.00	13.50	47.00	•	
RCT3360S		22863-634-023	HONDA	EMBRAGUE	33.00	60.00	15.00	13.50	47.00	•	
RCT336SA		8531-16-510A	MAZDA	EMBRAGUE	33.00	65.00	25.80	•	50.00	77.00	
RCT337SA3-1		31230-12140	TOYOTA	EMBRAGUE	33.00	66.00	24.50	•	50.00	70.15	
RCT337SA3-1		31230-16060	TOYOTA	EMBRAGUE	33.00	66.00	24.50	•	50.00	•	
RCT337SA3-2		31230-52020	TOYOTA	EMBRAGUE	33.00	66.00	22.30	•	•	•	
RCT337SA3-3		Reemplaza RCT337SA3-1	TOYOTA	EMBRAGUE	33.00	50.00	22.00	•	•	•	
RCT339SA		1391-16-510A	MAZDA	EMBRAGUE	33.00	66.00	26.00	•	50.00	75.00	
RCT35-1		0613-16-222	MAZDA	EMBRAGUE	35.00	56.60	15.00	13.00	43.60	•	
RCT35-1		30502-KA000	SUBARU	EMBRAGUE	35.00	56.60	15.00	13.00	43.60	•	
RCT35-1		31230-63002	TOYOTA	EMBRAGUE	35.00	56.60	15.00	13.00	43.60	•	
RCT35-1		83151-4700	SUBARU	EMBRAGUE	35.00	56.60	15.00	13.00	43.60	•	
RCT35-1		90043-63002	DAIHATSU	EMBRAGUE	35.00	56.60	15.00	13.00	43.60	•	
RCT3558ARUS		09269-35003	SUZUKI	EMBRAGUE	35.00	58.00	14.00	12.70	45.20	•	
RCT3558ARUS		MT209224	MITSUBISHI	EMBRAGUE	35.00	58.00	14.00	12.70	45.20	•	
RCT356SA6		31230-35070	TOYOTA	EMBRAGUE	35.00	70.25	37.50	•	50.00	•	
RCT356SA6		31230-35080	TOYOTA	EMBRAGUE	35.00	70.25	37.50	•	50.00	•	
RCT356SA8		31230-22080	TOYOTA	EMBRAGUE	35.00	70.25	37.50	•	50.00	44.00	
RCT356SA8		31230-22081	TOYOTA	EMBRAGUE	35.00	70.25	37.50	•	50.00	•	
RCT356SA8		31230-22082	TOYOTA	EMBRAGUE	35.00	70.25	37.50	•	50.00	•	
RCT356SA8		31230-22090	TOYOTA	EMBRAGUE	35.00	70.25	37.50	•	50.00	•	
RCT356SA8		23265-85F00	SUZUKI	EMBRAGUE	35.00	70.25	37.50	•	50.00	•	
RCT356SA9		31230-35102	TOYOTA	EMBRAGUE	35.00	70.25	44.40	•	50.00	44.00	
RCT356SA9-2		31230-710D1	TOYOTA	EMBRAGUE	35.00	•	26.20	•	50.00	•	
RCT358SA2		31230-32060	TOYOTA	EMBRAGUE	35.00	70.00	27.50	•	60.00	79.20	
RCT358SA2		31230-32090	TOYOTA	EMBRAGUE	35.00	70.00	27.50	•	60.00	•	
RCT359SA		22810-PH8-008	HONDA	EMBRAGUE	35.00	68.00	26.50	•	47.00	58.40	
RCT359SA		22810-PH8-000	HONDA	EMBRAGUE	35.00	68.00	26.50	•	47.00	•	
RCT359SA1		22810-PF5-003	HONDA	EMBRAGUE	35.00	68.00	26.50	•	55.20	58.40	
RCT359SA1		22810-PF5-008	HONDA	EMBRAGUE	35.00	68.00	26.50	•	55.20	•	

Rodamientos de bolas para sistemas de embrague										
Designación	Foto	Número de parte (O.E.M)	Fabricante	Aplicación	Dimensiones principales (unidad:mm)					
					d	D	T	B	C	W
RCT363SA		H606-16-510	MAZDA	EMBRAGUE	36.00	71.20	35.50	•	54.00	77.00
RCT363SA		8540-16-510	MAZDA	EMBRAGUE	36.00	71.20	35.50	•	54.00	•
RCT363SA1		FE 62-16-510(B)	MAZDA (Titan, Bongo)	EMBRAGUE	36.00	71.20	35.50	•	54.00	77.00
RCT364SA		1393-16-510 B	MAZDA	EMBRAGUE	36.00	71.20	35.30	•	54.00	82.00
RCT37SA1		8-94101-243	ISUZU	EMBRAGUE	37.00	67.00	67.00	20.30	48.00	•
RCT382SA4		31230-1020	HINO	EMBRAGUE	38.00	68.00	49.00	•	50.50	•
RCT382SA4		31230-1020 A	HINO	EMBRAGUE	38.00	68.00	49.00	•	50.50	•
RCT383SA3		31230-1110 B	HINO	EMBRAGUE	38.00	68.00	67.50	•	•	•
RCT38SL1		09269-38001/2	SUZUKI	EMBRAGUE	38.10	67.00	16.50	14.50	48.00	•
RCT38SL1		83151-7800	SUBARU	EMBRAGUE	38.10	67.00	16.50	14.50	48.00	•
RCT38SL1		9-00095-040	ISUZU	EMBRAGUE	38.10	67.00	16.50	14.50	48.00	•
RCT38SL1		90363-33009	TOYOTA	EMBRAGUE	38.10	67.00	16.50	14.50	48.00	•
RCT38SL1		90363-38001	TOYOTA	EMBRAGUE	38.10	67.00	16.50	14.50	48.00	•
RCT38SL1		90363-38004	TOYOTA	EMBRAGUE	38.10	67.00	16.50	14.50	48.00	•
RCT38SL1		90363-38009	TOYOTA	EMBRAGUE	38.10	67.00	16.50	14.50	48.00	•
RCT38SL1		90363-38084	TOYOTA	EMBRAGUE	38.10	67.00	16.50	14.50	48.00	•
RCT38SL1		ND	DAIHATSU	EMBRAGUE	38.10	67.00	16.50	14.50	48.00	•
RCT38SL1		MD 701283	MINISUBISHI	EMBRAGUE	38.10	67.00	16.50	14.50	48.00	•
RCT38SL1		N/D	DODGE	EMBRAGUE	38.10	67.00	16.50	14.50	48.00	•
RCT40		90363-40002/8/9	TOYOTA	EMBRAGUE	40.00	70.00	20.00	17.00	50.00	•
RCT40		N/D	DAIHATSU	EMBRAGUE	40.00	70.00	20.00	17.00	50.00	•
RCT4000SA		30502-69F10	NISSAN	EMBRAGUE	40.00	62.00	19.00	•	•	•
RCT401SA		5-31314-001	ISUZU	EMBRAGUE	40.00	86.80	23.70	•	54.00	•
RCT4064S		0221-16-222	MAZDA	EMBRAGUE	40.00	63.60	16.00	13.00	50.00	•
RCT4064S		90043-67010	DAIHATSU	EMBRAGUE	40.00	63.60	16.00	13.00	50.00	•
RCT4064S		90043-67016	DAIHATSU	EMBRAGUE	40.00	63.60	16.00	13.00	50.00	•
RCT4064S		90363-40003	TOYOTA	EMBRAGUE	40.00	63.60	16.00	13.00	50.00	•
RCT4064S		90363-40045	TOYOTA	EMBRAGUE	40.00	63.60	16.00	13.00	50.00	•
RCT4064S		90363-40078	TOYOTA	EMBRAGUE	40.00	63.60	16.00	13.00	50.00	•
RCT4064S		90363-40081	TOYOTA	EMBRAGUE	40.00	63.60	16.00	13.00	50.00	•
RCT4067L1		30502-14601	NISSAN	EMBRAGUE	40.00	67.00	18.50	12.20	44.00	•
RCT4067L1		30502-14600/29900	NISSAN	EMBRAGUE	40.00	67.00	18.50	12.20	44.00	•

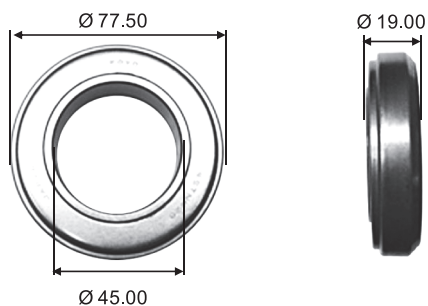
Rodamientos de bolas para sistemas de embrague										
Designación	Foto	Número de parte (O.E.M)	Fabricante	Aplicación	Dimensiones principales (unidad:mm)					
					d	D	T	B	C	W
RCT4068A2RSE		30502-V6200	NISSAN	EMBRAGUE	40.00	62.00	19.00	•	68.00	•
RCT4075-1S		5-86104-535	ISUZU (camión)-KIA	EMBRAGUE	40.00	74.60	19.00	•	62.00	•
RCT4075-1S		30502-21000	NISSAN (Atlas, Condor)	EMBRAGUE	40.00	74.60	19.00	•	62.00	•
RCT40SA		30502-W1700	NISSAN	EMBRAGUE	40.00	81.40	22.90	•	62.00	•
RCT40SA3		30502-30P00	NISSAN	EMBRAGUE	40.00	82.20	22.90	•	62.00	•
RCT422SA1		8-94379-499	ISUZU	EMBRAGUE	42.00	81.40	19.00	•	60.00	•
RCT422SA1		8-94379-416	ISUZU	EMBRAGUE	42.00	81.40	19.00	•	60.00	•
RCT422SA1		8-94379-449	ISUZU	EMBRAGUE	42.00	81.40	19.00	•	60.00	•
RCT422SA1		8-94453-348	ISUZU	EMBRAGUE	42.00	81.40	19.00	•	60.00	•
RCT422SA1		8-94453-349	ISUZU	EMBRAGUE	42.00	81.40	19.00	•	60.00	•
RCT422SA1		30502-89TA1	NISSAN	EMBRAGUE	42.00	81.40	19.00	•	60.00	•
RCT432SA1		8-94109-658	ISUZU	EMBRAGUE	43.00	82.20	23.70	•	62.00	•
RCT432SA1		8-94158-249	ISUZU	EMBRAGUE	43.00	82.20	23.70	•	62.00	•
RCT432SA1		8-94389-416	ISUZU	EMBRAGUE	43.00	82.20	23.70	•	62.00	•
RCT432SA1		8-94389-367	ISUZU	EMBRAGUE	43.00	82.20	23.70	•	62.00	•
RCT435SA2		31230-1030 (A)	HINO	EMBRAGUE	43.00	68.00	40.00	•	62.00	•
RCT45-1S		0222-16-222	MAZDA	EMBRAGUE	45.00	74.00	18.00	15.00	55.00	•
RCT45-1S		0820-16-510 A	MAZDA	EMBRAGUE	45.00	74.00	18.00	15.00	55.00	•
RCT45-1S		MD 702241	MITSUBISHI	EMBRAGUE	45.00	74.00	18.00	15.00	55.00	•
RCT45-4S		5-09803-004	ISUZU	EMBRAGUE	45.00	74.00	18.00	15.00	54.00	•
RCT45-4S		5-09803-005-0	ISUZU	EMBRAGUE	45.00	74.00	18.00	15.00	54.00	•
RCT4500		9036D-45001	HINO	EMBRAGUE	45.00	58.00	23.00	•	•	•
RCT4500		9036D-45002	HINO	EMBRAGUE	45.00	58.00	23.00	•	•	•
RCT4500		90363-45002	TOYOTA	EMBRAGUE	45.00	58.00	23.00	•	•	•
RCT4500		90363-45001	TOYOTA	EMBRAGUE	45.00	58.00	23.00	•	•	•
RCT4500		ME 600198	MITSUBISHI	EMBRAGUE	45.00	58.00	23.00	•	•	•
RCT4700SA		ME 624678	MITSUBISHI	EMBRAGUE	47.00	86.00	57.50	•	•	•
RCT473SA		8-97023-074	ISUZU	EMBRAGUE	47.00	82.50	23.70	•	62.00	•
RCT473SA		8-97022-320	ISUZU	EMBRAGUE	47.00	82.50	23.70	•	62.00	•
RCT47SA6		Antes con ..SA2	MITSUBISHI (camión)	EMBRAGUE	50.60	95.70	31.90	•	•	•
RCT481SA1		31230-1040 A	HINO	EMBRAGUE	48.00	68.00	52.50	•	•	•
RCT50SA1		8-90129-951	ISUZU	EMBRAGUE	38.12	67.00	32.10	•	50.00	46.00

Rodamientos de bolas para sistemas de embrague										
Designación	Foto	Número de parte (O.E.M)	Fabricante	Aplicación	Dimensiones principales (unidad:mm)					
					d	D	T	B	C	W
RCT50SA1		8-90129-095	ISUZU	EMBRAGUE	38.12	67.00	32.10	•	50.00	46.00
RCT52S		90363-52086	TOYOTA	EMBRAGUE	52.40	94.00	26.00	19.00	68.00	•
RCT55B		0727-16-512 A	MAZDA	EMBRAGUE	55.00	88.00	22.00	19.00	68.00	•
RCT55C		30502-Z5000	NISSAN UD	EMBRAGUE	55.00	92.00	26.00	19.00	68.00	•
RCT55C		30502-Z5002	NISSAN UD	EMBRAGUE	55.00	92.00	26.00	19.00	68.00	•
RCTS28SA		09269-28006	SUZUKI	EMBRAGUE	28.00	57.50	24.50	•	50.00	55.00
RCTS28SA		09269-28007	SUZUKI	EMBRAGUE	28.00	57.50	24.50	•	50.00	•
RCTS28SA		9S9T-93-8004	MAZDA	EMBRAGUE	28.00	57.50	24.50	•	50.00	•
RCTS30SA1		MB 837549	MITSUBISHI	EMBRAGUE	30.10	55.00	28.50	•	55.00	90.00
RCTS31SA		22810-PB6-921	HONDA	EMBRAGUE	31.00	55.00	23.80	•	55.00	53.00
RCTS31SA		22810-PB6-922	HONDA	EMBRAGUE	31.00	55.00	23.80	•	55.00	•
RCTS31SA		22810-PB6-920	HONDA	EMBRAGUE	31.00	55.00	23.80	•	55.00	•
RCTS31SA		22810-PC8-921	HONDA	EMBRAGUE	31.00	55.00	23.80	•	55.00	•
RCTS324SA		MD 703270	MITSUBISHI	EMBRAGUE	31.75	55.00	39.80	•	55.00	46.00
RCTS324SA		T5T1-16-510	MAZDA	EMBRAGUE	31.75	55.00	39.80	•	55.00	46.00
RCTS325SA		MR 195689	MITSUBISHI	EMBRAGUE	31.75	55.00	34.80	•	55.00	46.00
RCTS325SA		MD 719469	MITSUBISHI	EMBRAGUE	31.75	55.00	34.80	•	55.00	•
RCTS3360A2RR5		90363-33002	TOYOTA	EMBRAGUE	33.00	60.00	17.00	13.90	47.00	•
RCTS3360A2RR5		90363-33004	TOYOTA	EMBRAGUE	33.00	60.00	17.00	13.90	47.00	•
RCTS3360A2RR5		90363-33080	TOYOTA	EMBRAGUE	33.00	60.00	17.00	13.90	47.00	•
RCTS338SA1		23265-85200	SUZUKI	EMBRAGUE	33.00	66.25	24.00	•	50.00	70.00
RCTS338SA1		09269-33005	SUZUKI	EMBRAGUE	33.00	66.25	24.00	•	50.00	70.00
RCTS338SA2		23265-77D00	SUZUKI	EMBRAGUE	33.00	66.25	22.00	•	48.00	70.00
RCTS338SA2		ZZS4-16-510	MAZDA	EMBRAGUE	33.00	66.25	22.30	•	48.00	•
RCTS338SA2		9S97-92-3004	MAZDA	EMBRAGUE	33.00	66.25	22.30	•	48.00	•
RCTS338SA2		09269-33004	SUZUKI	EMBRAGUE	33.00	66.25	22.30	•	48.00	•
RCTS338SA2		ZZS3-16-510	MAZDA	EMBRAGUE	33.00	66.25	22.30	•	48.00	•
RCTS338SA2		23265-80F00	SUZUKI	EMBRAGUE	33.00	66.25	22.30	•	48.00	•
RCTS338SA3		09269-33002	SUZUKI	EMBRAGUE	33.00	66.25	27.00	•	50.00	•
RCTS338SA4		09269-33001 /2	SUZUKI	EMBRAGUE	33.00	67.00	27.00	•	50.00	70.00
RCTS338SA4		23265-70C00	SUZUKI	EMBRAGUE	33.00	67.00	27.00	•	50.00	70.00
RCTS33SA1		30502-M8000	NISSAN	EMBRAGUE	33.00	63.00	23.00	•	62.00	68.00
RCTS33SA2		30502-M8005	NISSAN	EMBRAGUE	33.00	63.00	25.00	•	62.00	68.00

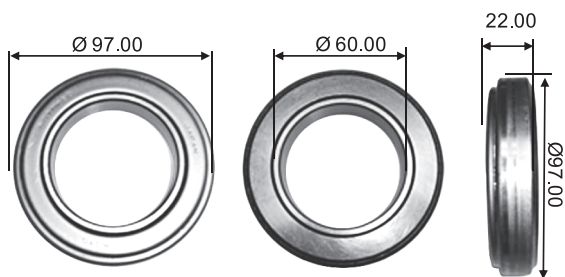
Rodamientos de bolas para sistemas de embrague										
Designación	Foto	Número de parte (O.E.M)	Fabricante	Aplicación	Dimensiones principales (unidad:mm)					
					d	D	T	B	C	W
RCTS33SA3		1N02-16-510	MAZDA	EMBRAGUE	33.00	63.00	23.00	•	48.00	68.00
RCTS33SA3		30502-52A00	NISSAN	EMBRAGUE	33.00	63.00	23.00	•	48.00	68.00
RCTS33SA4		30502-56A00	NISSAN	EMBRAGUE	33.00	63.00	28.00	•	62.00	68.00
RCTS351SA4		31230-32010	TOYOTA	EMBRAGUE	35.00	60.00	25.80	•	60.00	76.00
RCTS351SA4		31230-32011	TOYOTA	EMBRAGUE	35.00	60.00	25.80	•	60.00	76.00
RCTS351SA4		31230-32020	TOYOTA	EMBRAGUE	35.00	60.00	25.80	•	60.00	76.00
RCTS351SA4		31230-32020	TOYOTA	EMBRAGUE	35.00	60.00	25.00	•	60.00	76.00
RCTS354SA (igual CBU553524B)		22810-PG2-004	HONDA	EMBRAGUE	35.00	68.00	24.00	•	55.20	72.00
RCTS354SA		22810-PG2-0040	HONDA	EMBRAGUE	35.00	68.00	24.00	•	55.20	•
RCTS354SA		331-331000-13	PLYMOUTH	EMBRAGUE	35.00	68.00	24.00	•	55.20	•
RCTS354SA		22810-PG2-008	HONDA	EMBRAGUE	35.00	68.00	24.00	•	55.20	•
RCTS354SA		22810-PG2-004	HONDA	EMBRAGUE	35.00	68.00	24.00	•	55.20	•
RCTS355SA		31230-87309	TOYOTA	EMBRAGUE	35.00	73.10	48.00	•	54.00	57.00
RCTS355SA		31230-87604	TOYOTA	EMBRAGUE	35.00	73.10	48.00	•	54.00	57.00
RCTS371SA2		ME 602710	MITSUBISHI	EMBRAGUE	37.00	74.00	31.00	•	58.00	43.50
RCTS371SA2		ME 600576	MITSUBISHI	EMBRAGUE	37.00	74.00	31.00	•	58.00	43.50
RCTS4067A2RR5		90363-40005	TOYOTA	EMBRAGUE	40.00	67.00	19.80	16.00	50.00	•
RCTS4067A2RR5		90363-40022	TOYOTA	EMBRAGUE	40.00	67.00	19.80	16.00	50.00	•
RCTS4067A2RR5		90363-40002	TOYOTA	EMBRAGUE	40.00	67.00	19.80	16.00	50.00	•
RCTS45A		90363-45009	TOYOTA	EMBRAGUE	45.00	76.70	19.80	23.00	68.00	•
RCTS45A		90363-45013	TOYOTA	EMBRAGUE	45.00	76.70	19.80	23.00	68.00	•
RCTS70SA-6		ME 664392	MITSUBISHI	EMBRAGUE	59.00	117.00	60.00	•	94.00	77.70
RCTS70SA-6A		ME 664396	MITSUBISHI	EMBRAGUE	59.00	117.00	60.00	•	94.00	77.70
RCTS70SA-6B		ME 670583	MITSUBISHI	EMBRAGUE	59.00	117.00	60.00	•	94.00	77.70
RCTS70SA-7B		ME 664394	MITSUBISHI	EMBRAGUE	59.00	117.00	60.00	•	94.00	82.70
RCTS70SA-7B		ME 664349	MITSUBISHI	EMBRAGUE	59.00	117.00	60.00	•	94.00	82.70
RCTS70SA-8B		ME 632040	MITSUBISHI	EMBRAGUE	56.00	117.00	62.20	•	93.00	78.50
T45E		03452-25000	MITSUBISHI	EMBRAGUE	45.00	73.00	16.00	12.70	•	•

▶ RODAMIENTOS AUTOMOTRICES

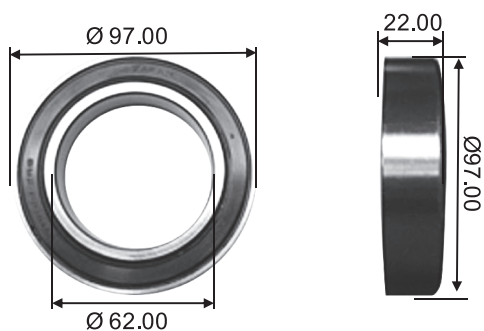
COLLARINES



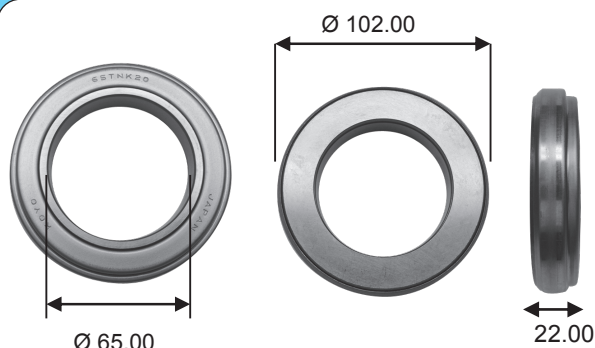
45TNK20



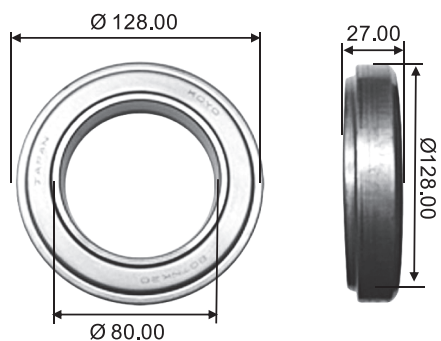
60TMK20



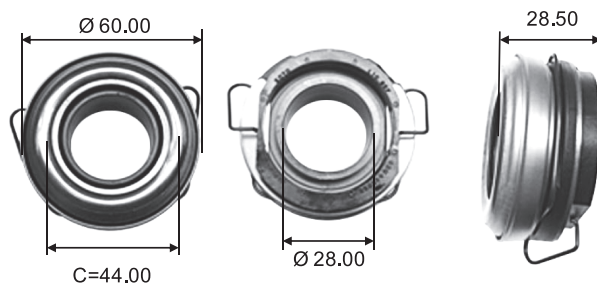
62TMK20-22RS



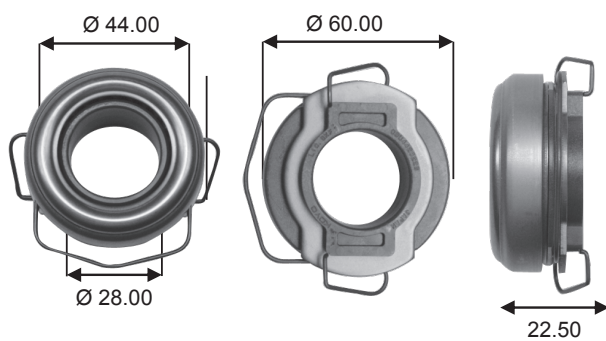
65TNK20



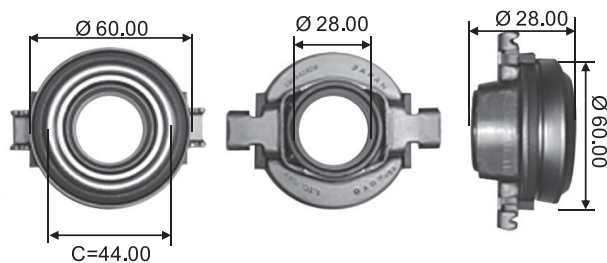
80TNK20



CBU442822



CBU442822G+C

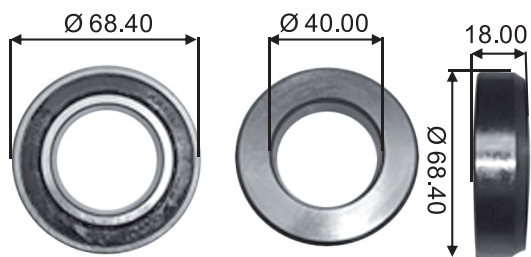


CBU442829

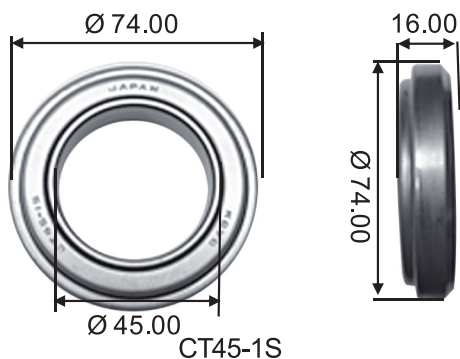
COLLARINES

▶ RODAMIENTOS AUTOMOTRICES

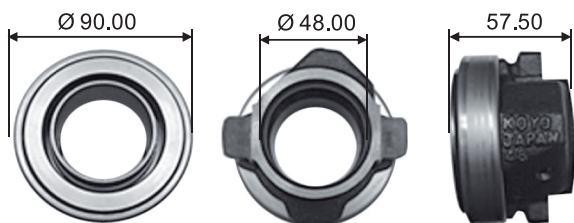
COLLARINES



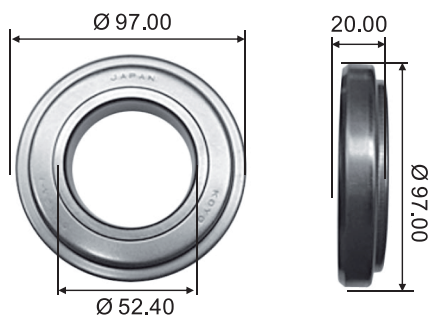
CT4068RU



CT45-1S



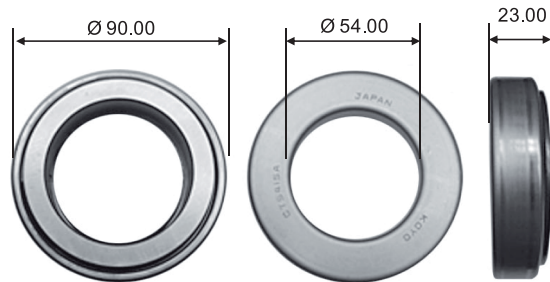
CT48SA



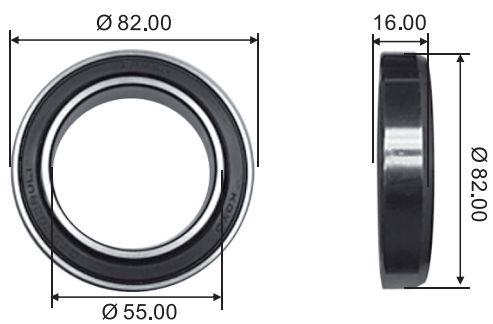
CT52A-1



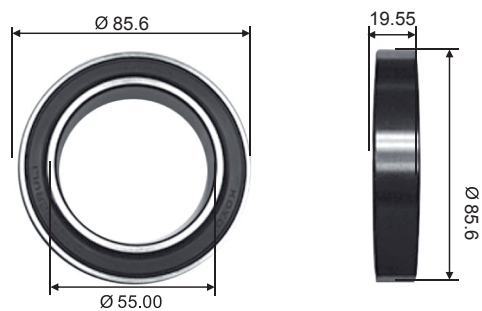
CT52S



CT541SA



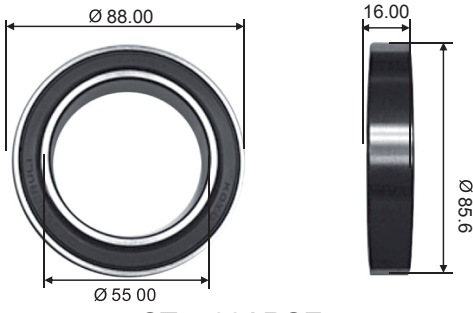
CT5582RUL1



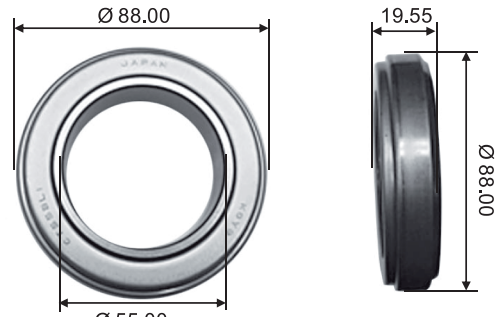
CT5586ARSE

▶ RODAMIENTOS AUTOMOTRICES

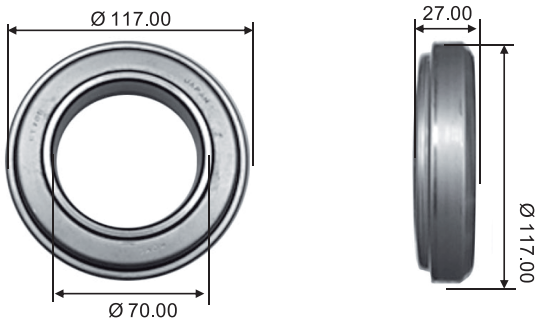
COLLARINES



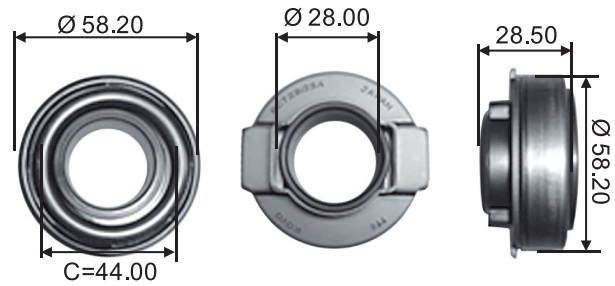
CT5588ARSE



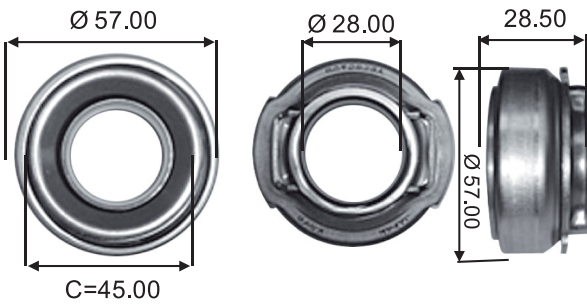
CT55BL1



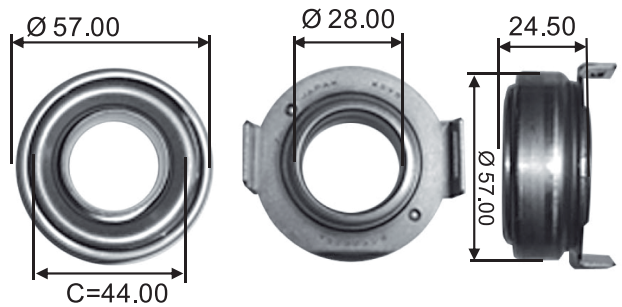
CT70B



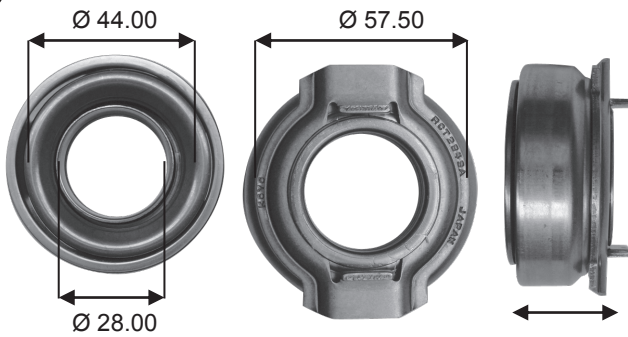
RCT2812SA



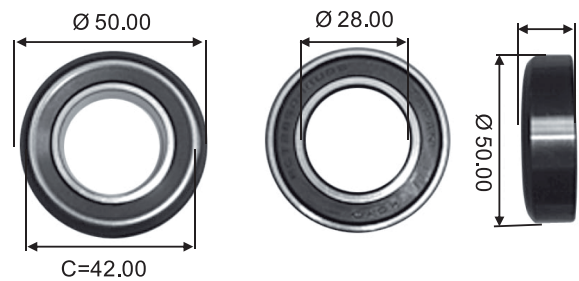
RCT282SA



RCT283SA



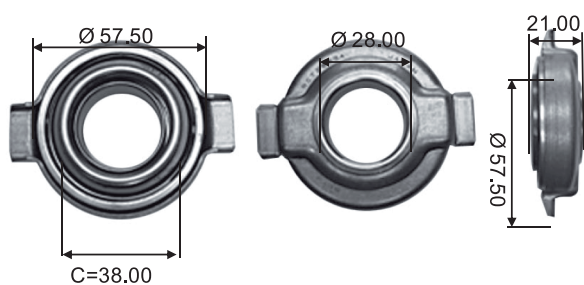
RCT284SA



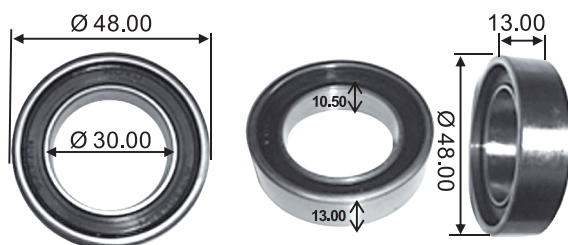
RCT2850-RUBS

▶ RODAMIENTOS AUTOMOTRICES

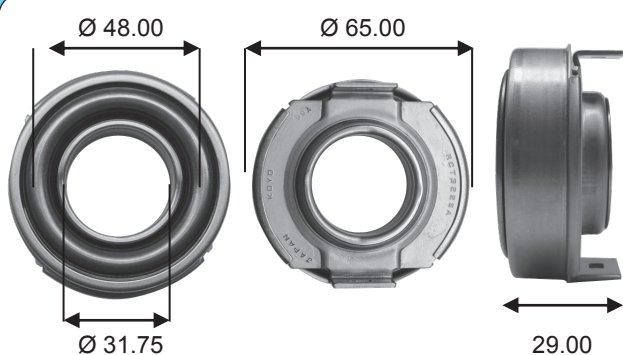
COLLARINES



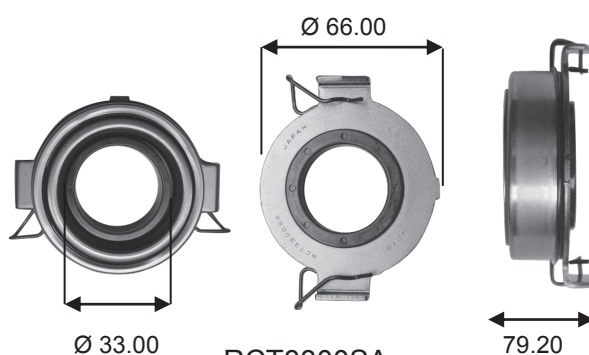
RCT286SA



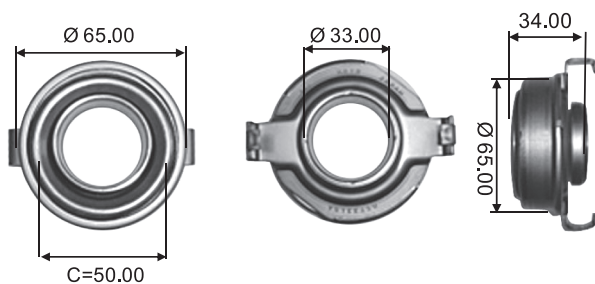
RCT30482RK



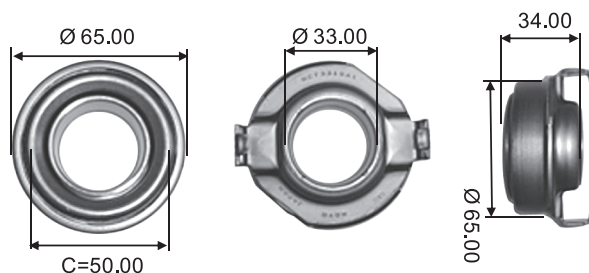
RCT322SA



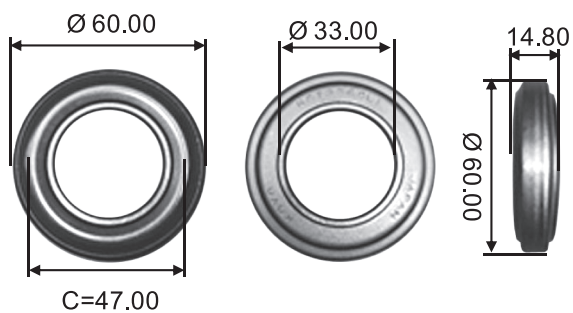
RCT3300SA



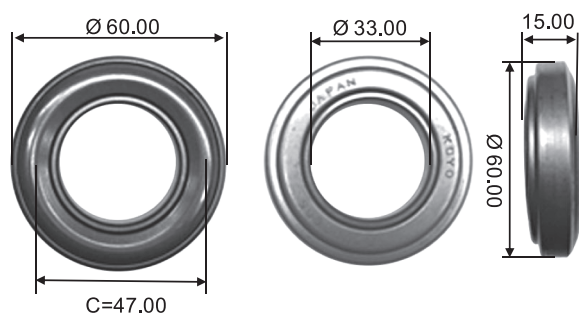
RCT331SA



RCT331SA1



RCT3360L1

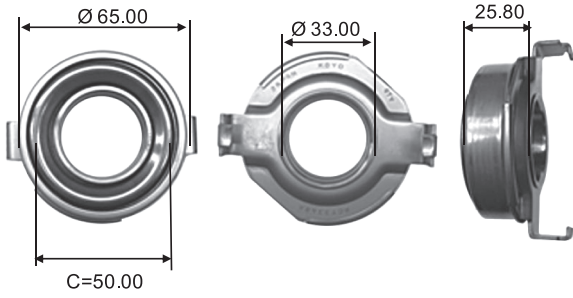


RCT3360S

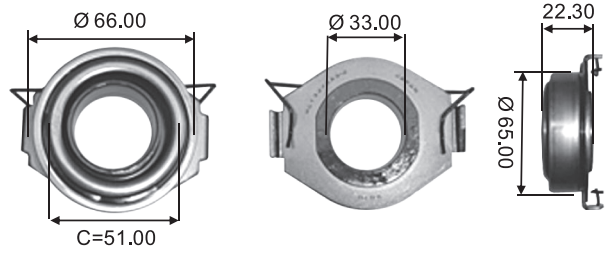
COLLARINES

▶ RODAMIENTOS AUTOMOTRICES

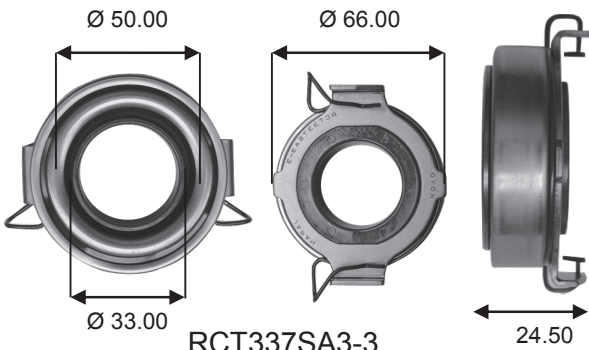
COLLARINES



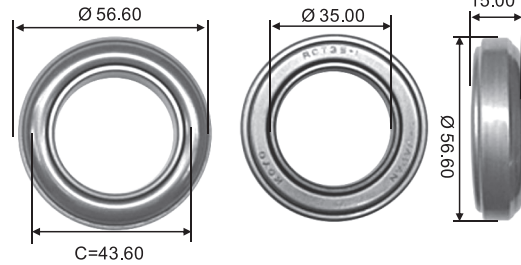
RCT336SA



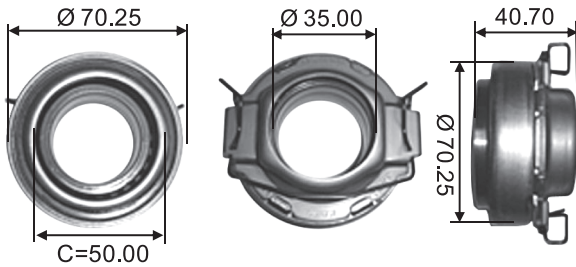
RCT337SA3-2



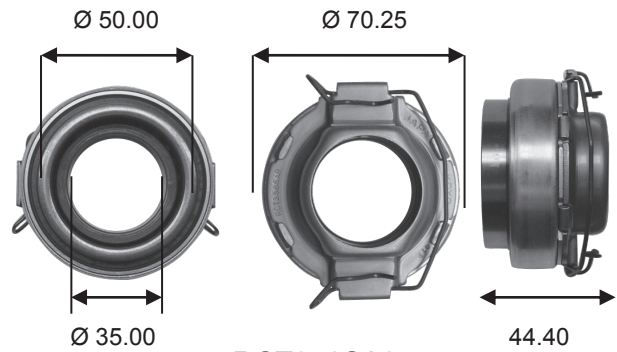
RCT337SA3-3



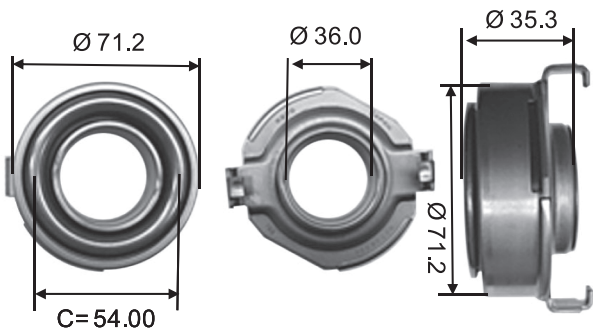
RCT35-1



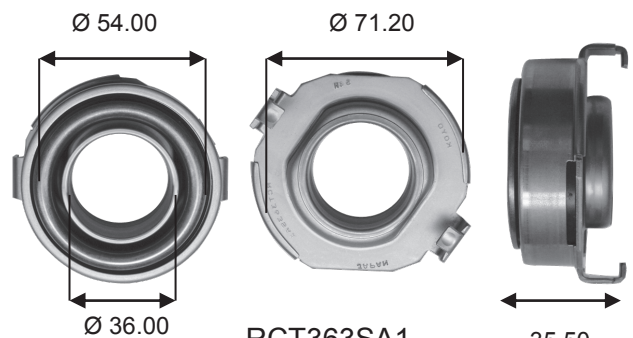
RCT356SA6



RCT356SA9



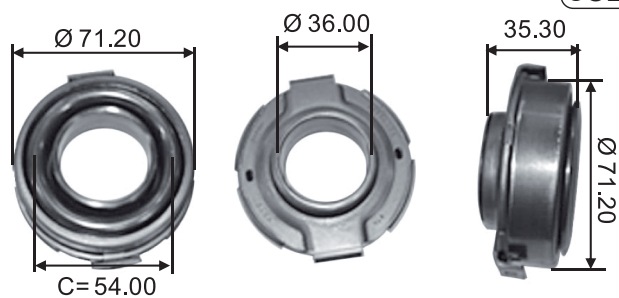
RCT363SA



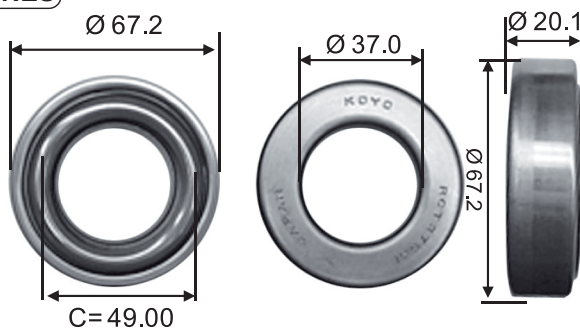
RCT363SA1

▶ RODAMIENTOS AUTOMOTRICES

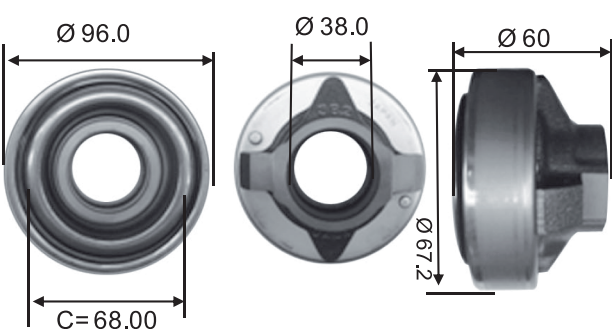
COLLARINES



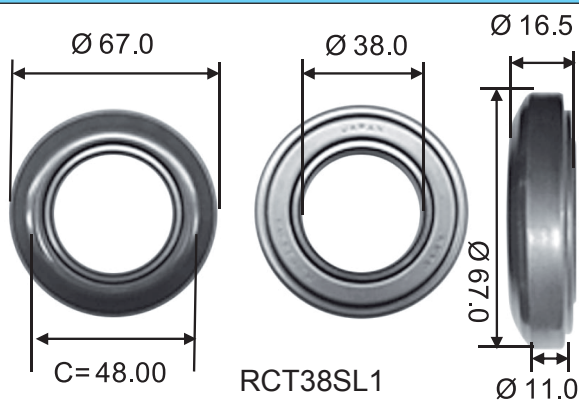
RCT364SA



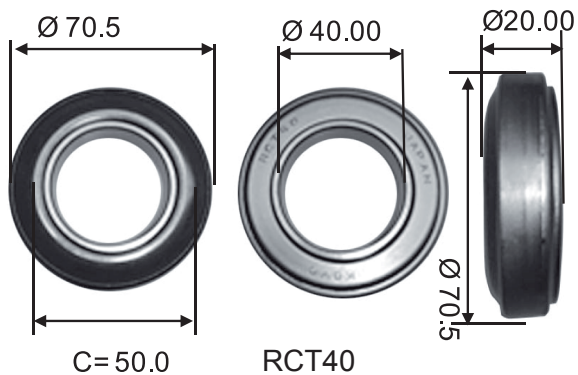
RCT37SA1



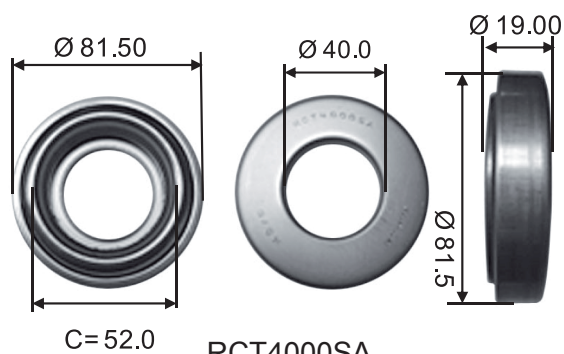
RCT382SA4



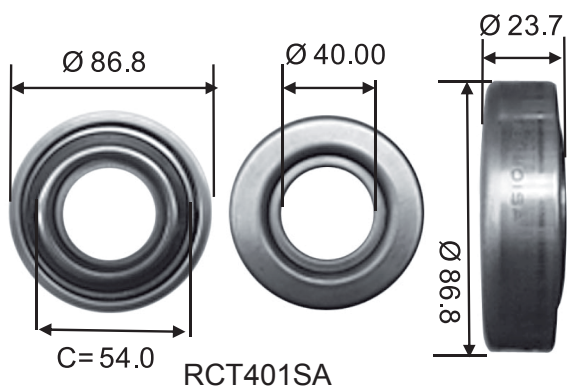
RCT38SL1



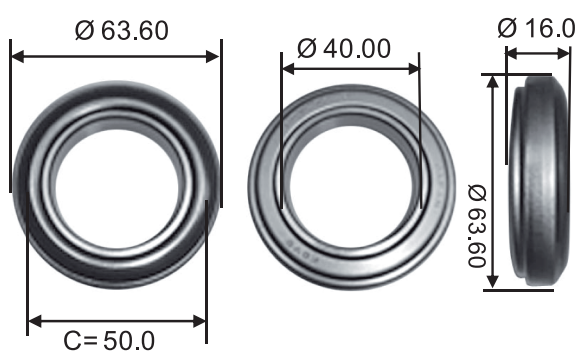
RCT40



RCT4000SA



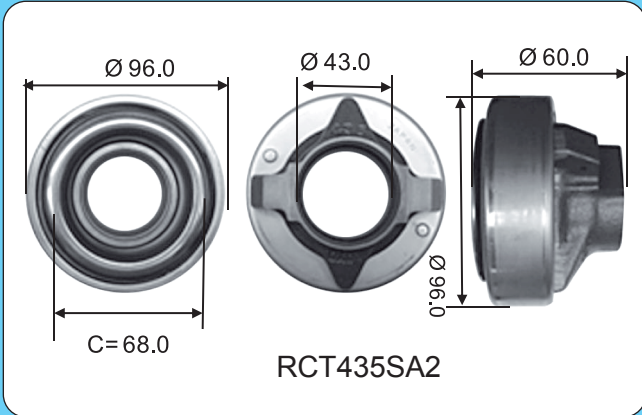
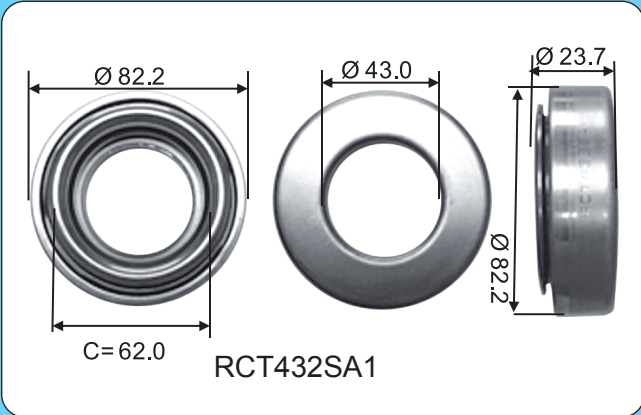
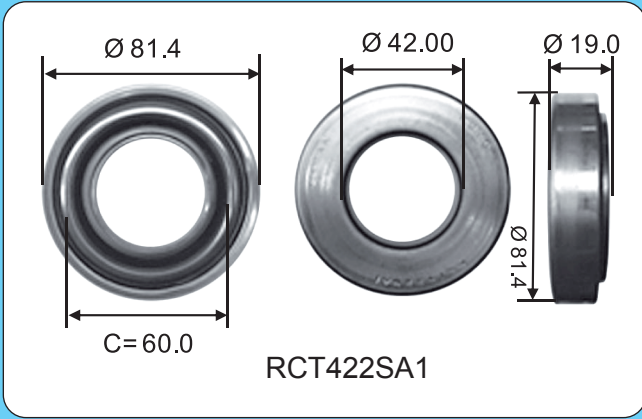
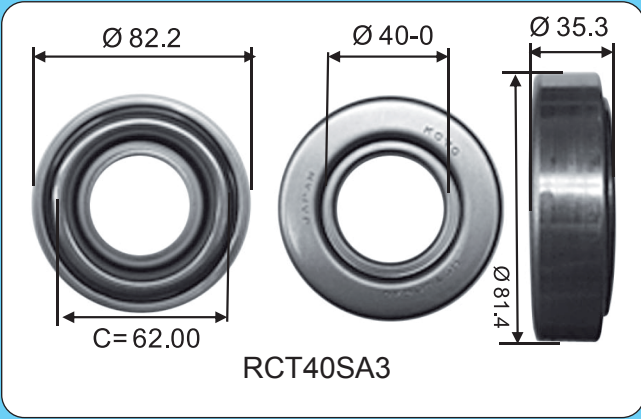
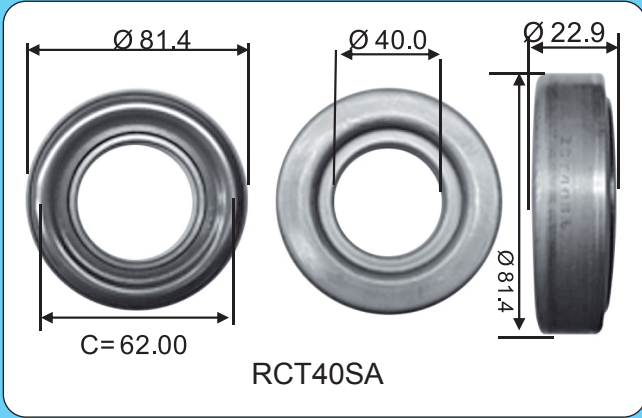
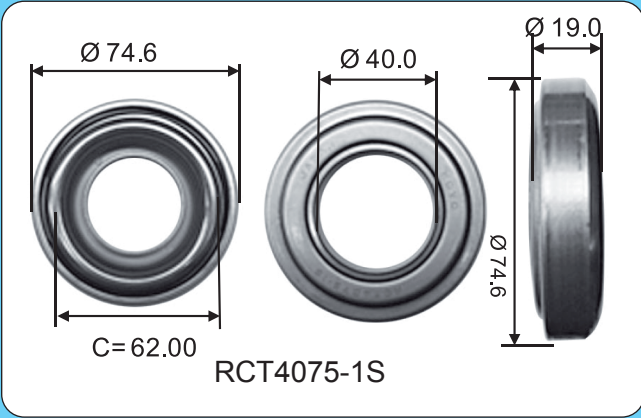
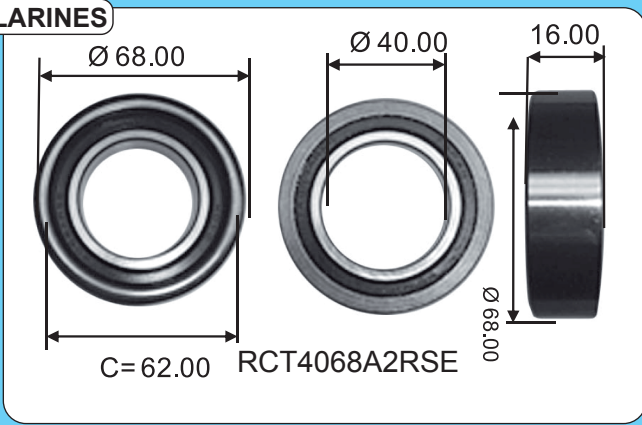
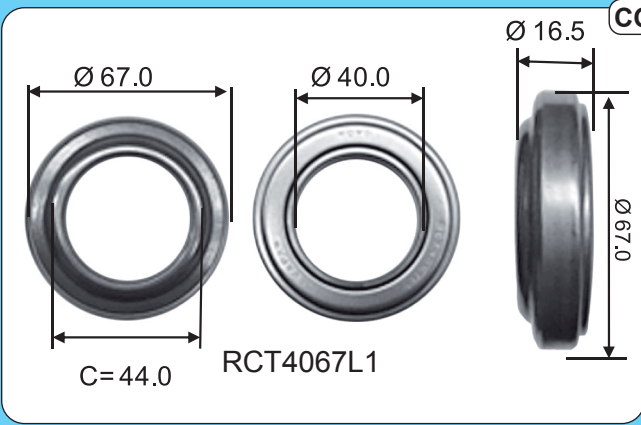
RCT401SA



RCT4064S

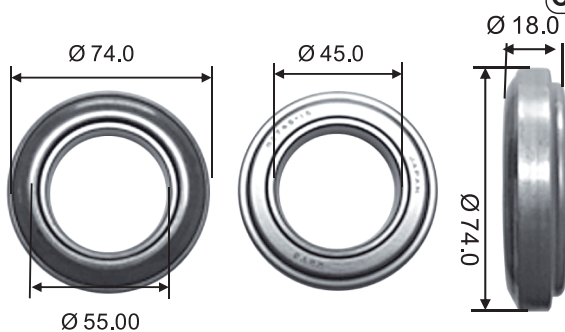
▶ RODAMIENTOS AUTOMOTRICES

COLLARINES

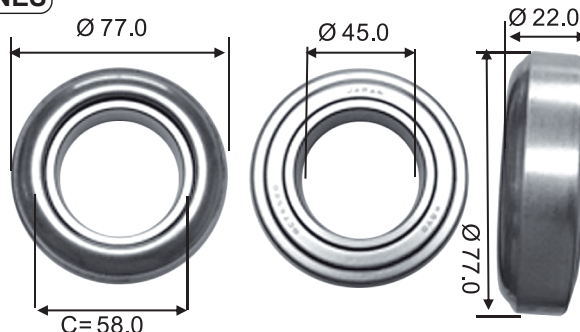


▶ RODAMIENTOS AUTOMOTRICES

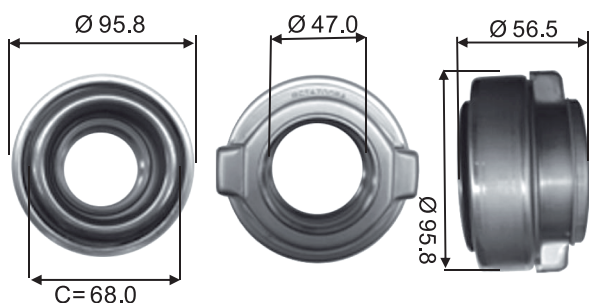
COLLARINES



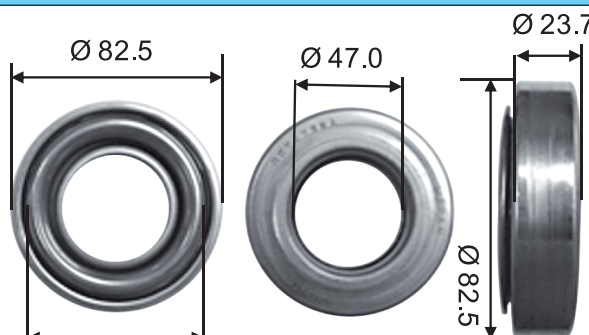
RCT45-1S



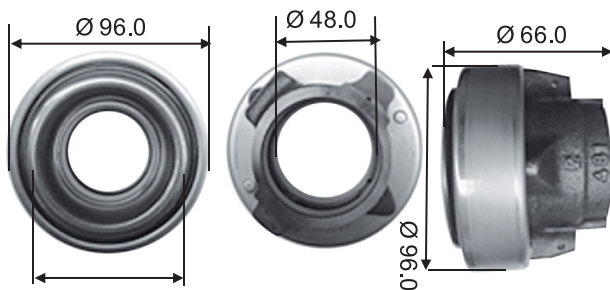
RCT4500



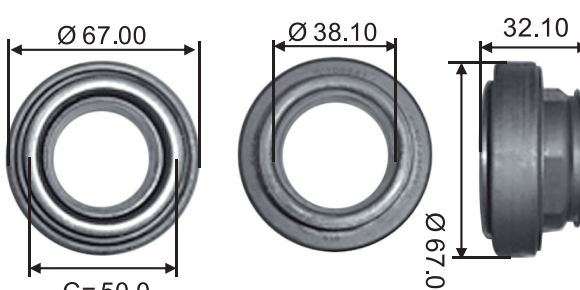
RCT4700SA



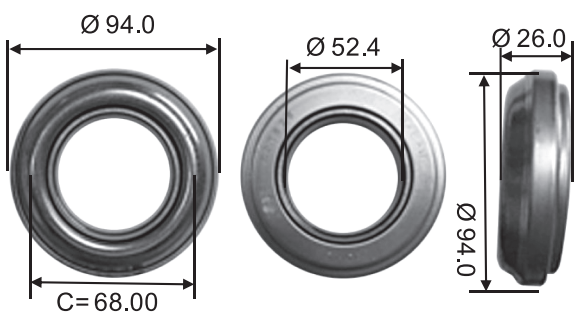
RCT473SA



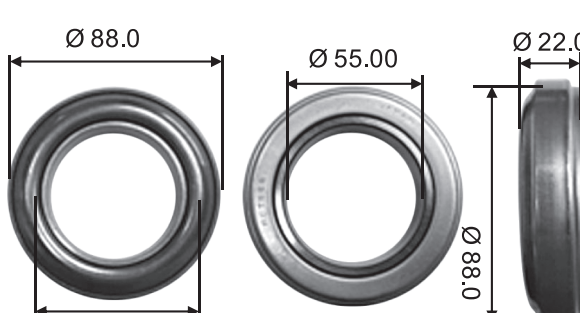
RCT481SA1



RCT50SA1



RCT52S



RCT55B

COLLARINES

▶ RODAMIENTOS AUTOMOTRICES

COLLARINES

